

LF 80-200

STAINLESS STEEL IN-LINE FILTER

Reliable protection of your cooling/heating channels

Dirt particles in coolants often result in clogging the small cooling channels, which render the mould inserts unusable.

This maintenance-friendly stainless steel in-line filter LF80-200 offers a cost-effective and excellent protection against foreign particles, in particular for conformal cooling channels of injection moulds. The filter can be flanged to the mould or operated directly with temperature control units.

The high filter performance is based on a star-shaped folded stainless steel sieve that prevents the ingress of all particles > 200 µm into the cooling channel.



LF80-200



LF80-200
with maintenance indicator

Versatile use

The filter is suitable for water-based or oil-based coolants with a flow rate of up to 80 l/min and offers versatile application possibilities in a temperature range of -10 to +260°C and a pressure of 16 bars.

Simple maintenance

Due to the maintenance-friendly concept, the filter insert can easily be removed and cleaned with compressed air, in an ultrasonic bath or using a high-pressure cleaner. The filter housing remains in the system circuit.

The LF80-200 can be delivered with an optional maintenance indicator.

ALL ADVANTAGES AT A GLANCE:

1. Cost-effective with high filter performance
2. Simple maintenance and cleaning
3. Suitable for high flow volumes
4. Large temperature range



Intelligence + quality for moulds and dies

KONTURNAHE TEMPERIERUNG
PAR EXCELLENCE

www.iqtemp.com

centre of excellence for conformal
cooling of the hotset group



hotset

TECHNICAL DATA AND ACCESSORIES

Maintenance indicator (optional)

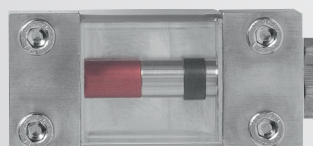
| | |
|------------|-----------------------------------|
| Principle | Differential pressure measurement |
| Seal | PTFE O-ring |
| Dimensions | 45 x 30 x 66 mm (L x W x H) |

Stainless steel in-line filter LF 80-200

| | |
|-----------------------|------------------------------|
| Material | Stainless steel 1.4305 |
| Connection thread | G 3/4" |
| Coolant | Water / oil |
| Pressure Rating | PN 16 |
| Operating temperature | -10°C / 260°C |
| Seal | PTFE |
| Dimensions | 76 x 56 x 131 mm (L x W x H) |
| Weight | approx. 1.3 kg |
| Installation | Wall mounting |

O-Ring

| | |
|------------|---------------|
| Material | PTFE |
| Dimensions | Ø 45 X 1.5 mm |



Maintenance indicator



O-ring

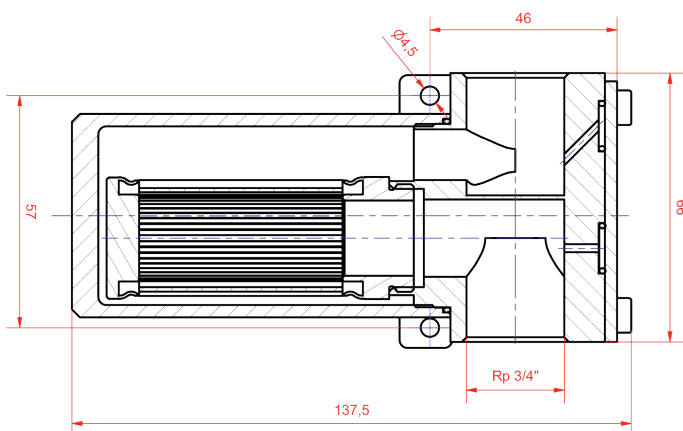


Filter insert



Filter insert

| | |
|----------------|---|
| Material | Stainless steel 1.4305, adhesive-free, rolled |
| Mesh width | 200 µm |
| Filter surface | approx. 150 cm ² |
| Connection | Thread connector |
| Dimensions | Ø 32 X 76 mm |



Hotset GmbH
 Hueckstraße 16
 58511 Lüdenscheid
 Germany
 Telefon: +49 2351 4302 471
 iqtemp@hotset.com
 www.hotset.com

www.iqtemp.com



Design according to:

Pressure Equipment Directive 97/23/EU, pressure equipment type acc. to Art. 1: container, fluid acc. to Art. 9: group 2 - others acc. to Art. 3, para. 3: good engineering practice, suitable for max. 1,000 full cycle motions.